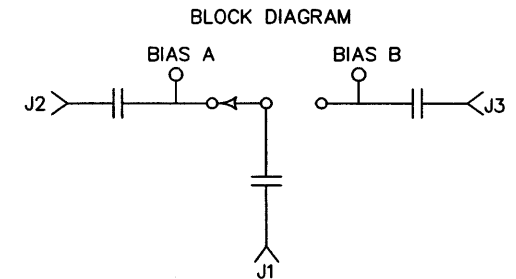
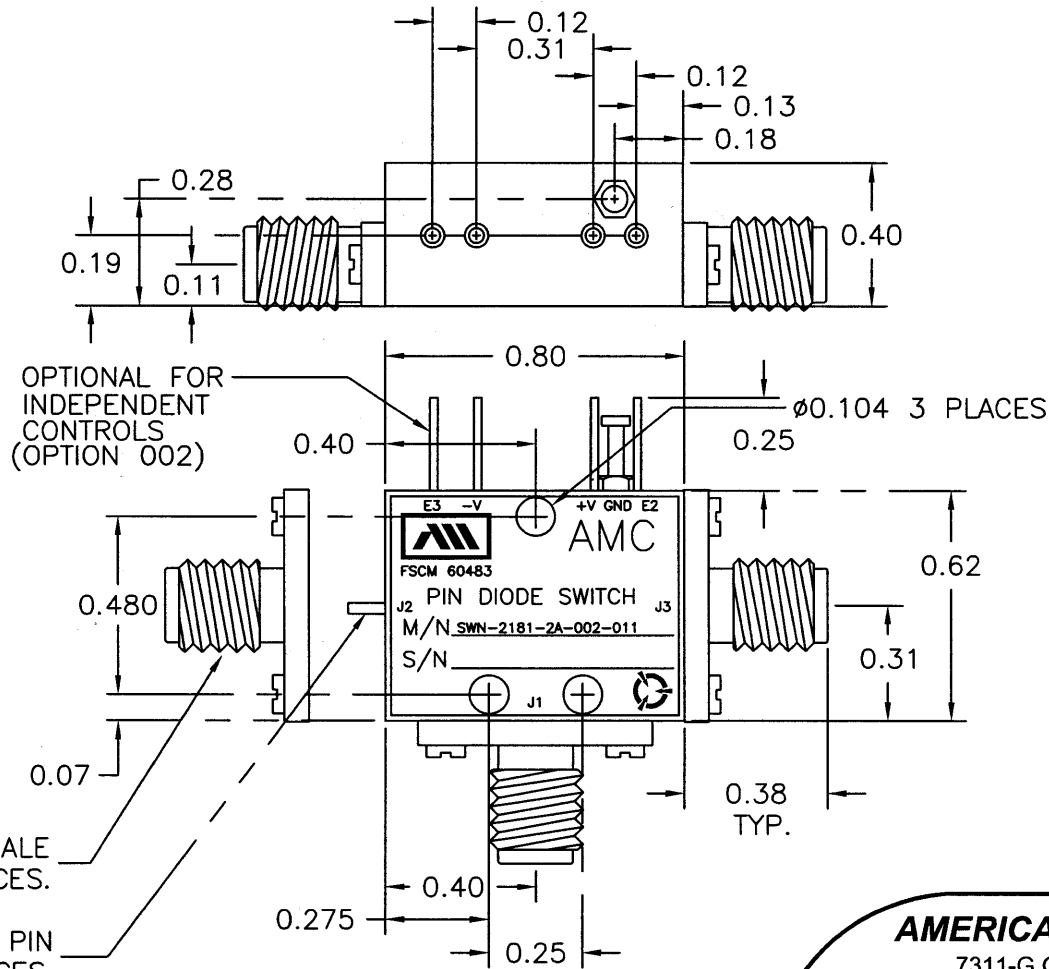


# DESCRIPTION

AMC MODEL SWN-2181-2A-002-011 IS AN ABSORPTIVE/NON-REFLECTIVE SWITCH MODULE WITH LOW INSERTION LOSS AND HIGH ISOLATION DESIGNED TO OPERATE OVER THE FULL 2 TO 18 GHz FREQUENCY RANGE.

REVISIONS				
ZONE	REV.	DESCRIPTION	DATE	APPROVED
-		ORIGINAL RELEASE JOB# 411270X	12/6/04	

# MECHANICAL OUTLINE



REMOVABLE SMA FEMALE CONNECTOR 3 PLACES.

∅0.015 RF PIN 3 PLACES.

OPTIONAL FOR INDEPENDENT CONTROLS (OPTION 002)

ALL DIMENSIONS ARE IN INCHES  
TOLERANCES:  
X.XX ±0.020  
X.XXX ±0.010

## AMERICAN MICROWAVE CORPORATION

7311-G GROVE ROAD  
FREDERICK, MARYLAND 21704 USA  
TEL: 301-662-4700 FAX: 301-662-4938  
WEBSITE: [www.americanmicrowavecorp.com](http://www.americanmicrowavecorp.com)  
E-MAIL: [sales@americanmicrowavecorp.com](mailto:sales@americanmicrowavecorp.com)  
ISO 9001:2000 CERTIFIED



APPROVALS		DATE	TITLE		
DRAWN <i>JDJ</i>		12/6/04	MECHANICAL OUTLINE		
CHECKED			SWN-2181-2A-002-011		
ISSUED			2 TO 18 GHz, SINGLE POLE TWO THROW SWITCH		
SIZE	FSCM NO.	DWG NO.	REV.		
A	60483	100-4714	-		
SCALE N:S			SHEET 2 OF 3		

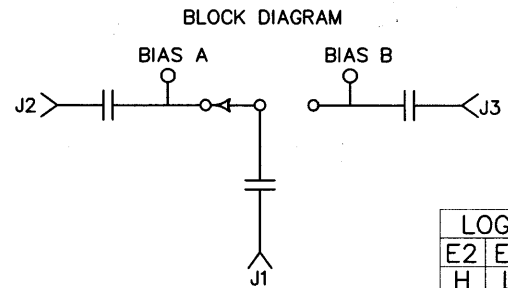
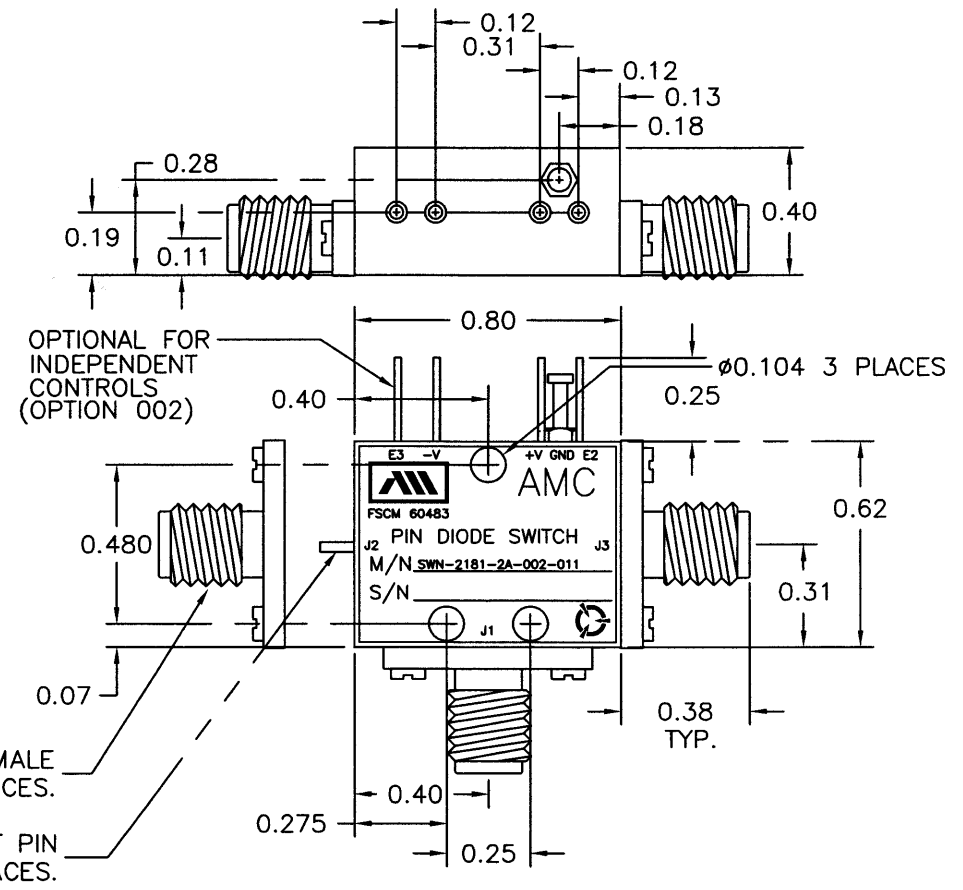
# DESCRIPTION

AMC MODEL SWN-2181-2A-002-011 IS AN ABSORPTIVE/NON-REFLECTIVE SWITCH MODULE WITH LOW INSERTION LOSS AND HIGH ISOLATION DESIGNED TO OPERATE OVER THE FULL 2 TO 18 GHz FREQUENCY RANGE.

# SPECIFICATIONS

- FREQUENCY RANGE: ..... 2 TO 18 GHz
- INSERTION LOSS: ..... 2.5 dB MAXIMUM
- ISOLATION: ..... 60 dB MINIMUM
- VSWR: ..... 2.0:1
- DELAY ON: ..... 75 nSec TYPICAL, 100 nSec MAXIMUM
- DELAY OFF: ..... 75 nSec TYPICAL, 100 nSec MAXIMUM
- POWER INPUT: ..... (CW)+20 dBm (TYPICAL)
- SURVIVAL POWER: ..... 1 WATT CW, 10 WATTS PEAK 1 uSec
- CONTROL: ..... SEE LOGIC TABLE BELOW
- POWER SUPPLY: ..... +5V @ 65 mA MAXIMUM  
-12V @ 50 mA MAXIMUM
- CONNECTORS:  
RF: ..... SMA FEMALE  
CONTROL: ..... SOLDER PIN
- SIZE: ..... 0.80" (L) x 0.62" (W) x 0.40" (H)
- WEIGHT: ..... 1 OUNCE TYPICAL

REVISIONS				
ZONE	REV.	DESCRIPTION	DATE	APPROVED
-	-	ORIGINAL RELEASE JOB# 411270X	12/6/04	



E2	E3	PATH ON
H	L	J1-J2
L	H	J1-J3

# ENVIRONMENTAL RATINGS

- TEMPERATURE: ..... -55°C TO +85°C (OPERATING)  
-65°C TO +125°C (STORAGE)
- HUMIDITY: ..... MIL-STD-202F, METHOD 103B COND. B
- SHOCK: ..... MIL-STD-202F, METHOD 213B COND. B
- VIBRATION: ..... MIL-STD-202F, METHOD 204D COND. B
- ALTITUDE: ..... MIL-STD-202F, METHOD 105C COND. B
- TEMPERATURE CYCLE: ..... MIL-STD-202F, METHOD 107D COND. A

NOTE: SPECIFICATIONS WILL VARY OVER OPERATING TEMPERATURE  
NOTE: THE ABOVE SPECIFICATIONS ARE SUBJECT TO CHANGE OR REVISION

ALL DIMENSIONS ARE IN INCHES  
TOLERANCES:  
X.XX ±0.020  
X.XXX ±0.010

# AMERICAN MICROWAVE CORPORATION

7311-G GROVE ROAD  
FREDERICK, MARYLAND 21704 USA  
TEL: 301-662-4700 FAX: 301-662-4938  
WEBSITE: [www.americanmicrowavecorp.com](http://www.americanmicrowavecorp.com)  
E-MAIL: [sales@americanmicrowavecorp.com](mailto:sales@americanmicrowavecorp.com)  
ISO 9001:2000 CERTIFIED



APPROVALS		DATE	TITLE		
DRAWN <i>gdj</i>		12/6/04	PRODUCT FEATURE		
CHECKED			SWN-2181-2A-002-011		
ISSUED			2 TO 18 GHz, SINGLE POLE TWO THROW SWITCH		
SIZE	FSCM NO.	DWG NO.	REV.		
A	60483	100-4714	-		
SCALE N:S			SHEET 1 OF 3		